

User Manual LX6000

Introduction:

LX6000 System utilizes patented proprietary cold air atomization technology that breaks down our curated oils into nanoparticles which can then be dispersed easily throughout your home in the safest, fastest, and cleanest way possible.

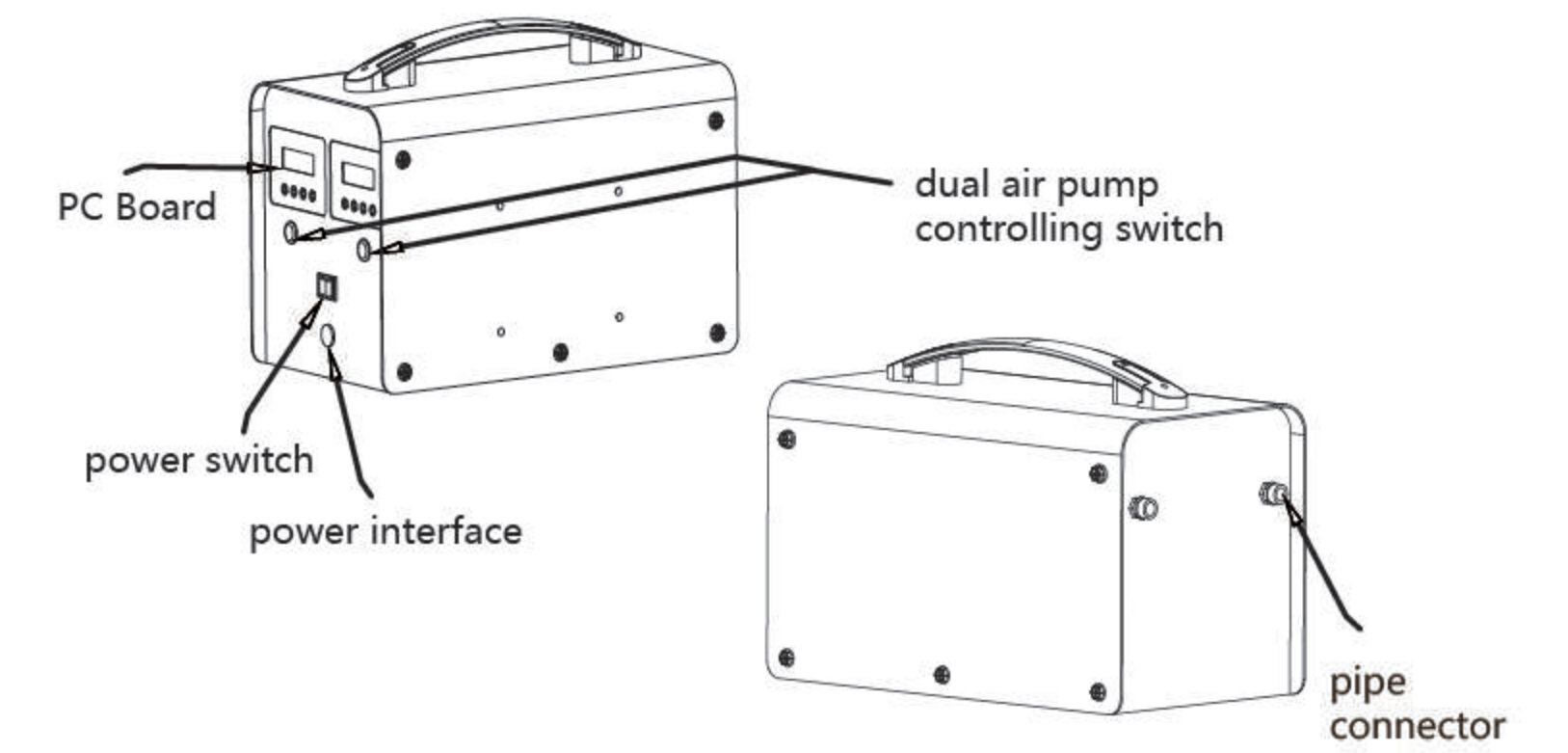
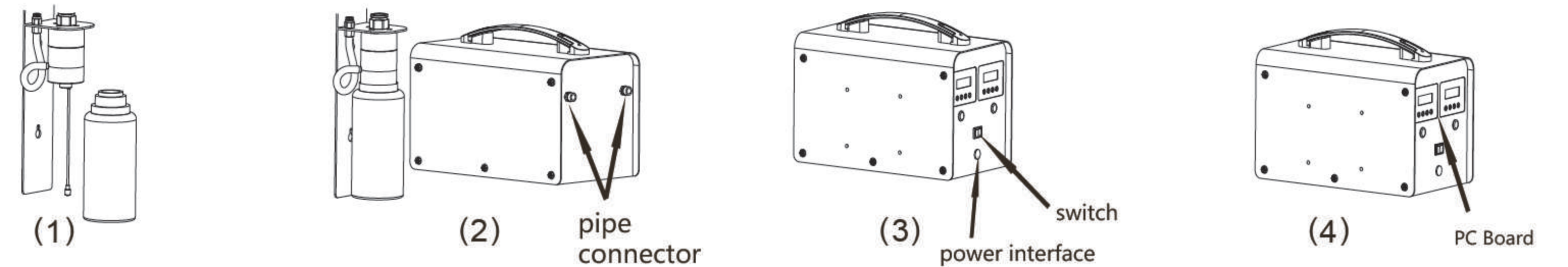
Attention:

Please read this manual in full detail before using this device. Keep in a safe place.

1. Do not plug the LX6000 in overcrowded power sockets. Do not use with broken wires.
2. Do not attempt to take apart the LX6000, if there are any issues please contact us promptly.
3. Do not turn the device upside down or on its side after filling the diffuser with oil, this can cause leakage and ultimately damage to the diffuser.

Specifications:

Model: LX6000
 Size: W 6.5" x D 11.9" x H 7.6"
 Fragrance Oil Capacity: 500ML x 2
 Weight: 16 Lbs.
 Coverage: Up to 6,000 Square Feet
 Voltage: DC12V
 Power: 22 Watts



Installation:

The LX6000 System works by attaching the provided pipe from each oil canister to your HVAC unit. Make two holes in your HVAC unit where you would like the pipes to go into, you can use a drill or anything sharp to make a small opening no bigger than the diameter of the pipe. If your HVAC unit has room you may place the LX6000 comfortably in that space. If your HVAC unit does not have any available space to nest the LX6000, you can make a shelf and sit it on top.

Do not place your LX6000 system farther than the pipe's length. Insert the pipe into the oil canister's connector by pressing down on it and then pushing the pipe into the hole, do the same for the second oil canister. Cut the pipe to the length required. The length of the pipe between the LX6000 and your HVAC hole should not be longer than 2 feet. Insert the end of the pipes into the holes you made in your HVAC duct and seal it with HVAC tape to make a tight seal. Connect the two smaller pipes to the back of the LX6000 System and the top of the oil canisters.

Please refer to video guide to see recommended setup.

Untwist each oil canister and fill with the chosen Brilliant Scents oil, then screw the canister back on by turning it to the right. Do not overfill the canisters (max 500ml for each).

Follow the next steps to set up your LX6000 system.

Setup:

1. Plug the LX6000 into a power outlet. Hit the power switch to turn on, then press both red air pump controlling switches. Once the diffuser is "On", the dual LCD displays will show a 24-hour military time. It will also show the current state of diffuser as "WORK ON, PAUSE ON, or PAUSE OFF".
 - a. Press the "UP" and "DOWN" key at the same time to unlock the setting screen.

2. Press "SET" to adjust the hours, minutes and day of the week. Once you press set and the hour is flashing, press "UP" or "DOWN" to adjust the hour. press "Set" to move on to minutes, Press "Up" or "Down" to adjust. Press "Set" to move on to the day.

Note:

The LX6000 System has a maximum amount of 4 work periods:

Example: Diffuser can work from 7am-9am (1st work period), then start back up at 12pm and stop at 3pm (2nd work period) and so on.

Once you have setup the time and date, you can now set up the working period and intensity of oil diffusion.

3. Press “Mode” to set the 1st “Event On” (work period). Then press “Set” to move to the hour you want the oil diffuser to start working, press “Up” or “Down” to choose hour, then press “Set” to move on to minutes, press “Up” or “Down” to adjust the minutes. Press “Set” again to set the day or days of the week you wish for the diffuser to work.

Note:

If you keep pressing “Up” you can choose different day combinations such as Monday – Sunday, Monday-Wednesday, Saturday-Sunday, etc. Once you choose the days (Monday-Sunday is recommended)

4. Press “Mode” to get to the 1st “Event Off”, Press “Set” to once again choose the hour you wish for the diffuser to stop/pause working. Press “Set” again to move to minutes.

5. Press “Mode” to get to the number of seconds you wish for the diffuser to “Work” (recommended setting for up to 3000 square feet area is 300 seconds ON and 100 seconds OFF, you can adjust based on your preference). Press “Up” or “Down” to adjust seconds that the diffuser will be on.

6. Press “Mode” to move to the “Pause” setting. Press “Up or “Down” to adjust how many seconds you wish to have the diffuser off.

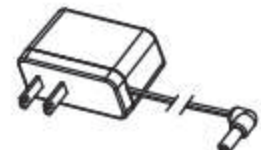

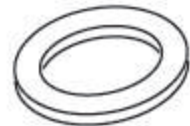


7. Press “Mode” to move to the 2nd time period, and repeat the above steps. If you wish to only have one working period, keep pressing “Mode” to skip through the working periods.

8. Repeat the same steps for the second LCD screen.

Notes:

1. If you only wish to have 1 working period, leave the 2nd, 3rd, and 4th period blank by pressing “MODE” to skip through.
2. When setting the work period, the END TIME cannot be earlier than the START TIME.
3. You may press any one of the dual red air pump controlling switches to turn it on or off. You may have both working at the same time or just one for less fragrance intensity.
4. You may always RESET to default settings by pressing “MODE” for 10 seconds.
Default setting: Diffuser will start at 8:00 (8am) and stop at 22:00 (10pm) – that is the 1st working period. The diffuser will work for 60 seconds and pause for 60 seconds continuously during this work period. The 2nd, 3rd, and 4th work period will be blank.
5. Press “UP” and “DOWN” at the same time for 10 seconds to either lock or unlock the setting screen.

Accessories:

Name	Diagram
Power adapter	
Atomizer core	
PE seal ring	
User manual	
Pipe	

Troubleshooting:

No oil diffusing:

1. Check power supply
2. Check if the diffuser is on “pause” setting
3. Check if air pump works and replace the atomizer core
4. Check if the seal ring is damaged, fallen off, or if the oil pipes are blocked.

Oil diffusion is weak:

1. Check if the ring seal is damaged
2. Check if the atomizer core is blocked
3. Check if the atomizer core is loose or broken and needs replacement.

Oil leakage:

1. Check if atomizer head is damaged
2. Check if the seal ring is damaged, fallen off
3. Check if the oil canisters are connected to the atomizer tightly.

Abnormal noise:

1. Air pump is loose, please adjust tighter
2. Air pump is damaged, this needs replacement.

Maintenance:

In order to ensure that your LX6000 System is working effectively, please check and maintain your device regularly by following the below steps:

1. Clean the oil canisters with alcohol by swishing 10-20 milliliters around for 30 seconds, discard after you’re done.
2. Next, fill the canisters with another 20 milliliters of alcohol and turn your device on for 5 to 10 minutes.
3. Turn the power off when finished cleaning.
4. Take out the oil canisters and make sure no more alcohol is left by discarding remainder. The canisters are now ready for oil.
5. Twist the oil canisters back on.

Warranty:

Warranty 12 months parts and labor.

The LX6000 System is only to be used with Brilliant Scents oils, using any other oils will damage your System and will void the warranty.